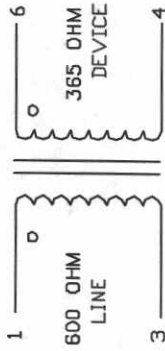
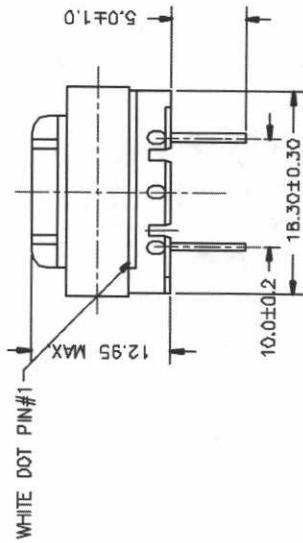
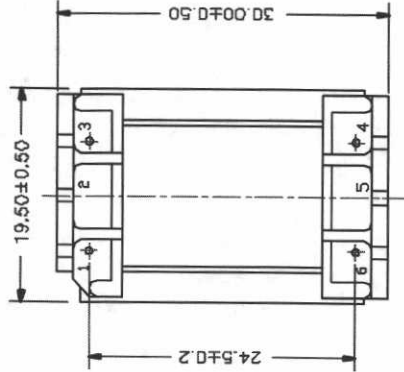


ATS-166
Atech



ELECTRICAL CHARACTERISTICS: (671-8381 COMPATIBLE)

- 1 D.C.R. : PIN 1-3 = 150 OHM +/- 10%
PIN 4-6 = 140 OHM +/- 10%
- 2 INDUCTANCE : (@ 300HZ, 1Vrms, W/H 80mADC) PIN 1-3 = 350mH MIN.
- 3 IMPEDANCE = 600 OHM +/- 5% (@ 400HZ, 1Vrms, W/H 80mADC, 4-6 W/H 365 OHM)
- 4 INSERTION LOSS = 3.0dB MAX. (@ 1KHZ, 1Vrms, W/H 80mADC, 4-6 W/H 365 OHM)
- 5 FREQ. RESP. (REF. 1KHZ) @300HZ = +/- 1.5dB @4KHZ = +/- 0.1dB
- 6 RETURN LOSS : (REF. 600 OHM) @400HZ = 11dB MIN.
@1KHZ = 16dB MIN.
@4KHZ = 16dB MIN.
- 7 LOGITUDINAL BALANCE = 70dB MIN.(AT 1KHZ)
LOGITUDINAL BALANCE = 60dB MIN. (AT 4KHZ)
- 8 THD : (@600HZ, -10dBm, W/H 80mADC) = -83dB MAX.
- 9 HI-POT = 1250VAC, 1mA, 25SEC. (PRI-SEC)



										Atech® Atech Technology Co., Ltd. TEL: (02) 794-6667 FAX: (02) 794-8004		TITLE 600 : 365 TRANSFORMER DWG. NO. ATS-166	
A		12.95 MAX.						UNITS: M/M		SAFETY		SHEET 1 OF 1	
ND	RELEASE	PAIR	DATE	BY	CHK	APPD	DATE	06/28/96		DRAW		Pair	
REVISIONS													